



## FM-300H/R CHEMICAL METER

The most accurate and versatile agricultural chemical meter on the market. Factory calibrated for thin and medium to thick fluids, even oils. This Nutating disc meter comes with a electronic display. Keeps both batch and cumulative totals.

- Flow range is 2 to 20 GPM (7 to 75 L/min)
- Typical accuracy with Factory Calibration is  $\pm 2\%$ , Field Calibration is  $\pm 0.5\%$
- Durable PBT Polyester construction
- Choice of gallon or litre measurement

## FEATURES / BENEFITS

- Simple, small and sturdy Electronic Digital Disc Meter with rugged PBT housing
- Mount on the end of a hose or a pipe, in-line
- Complete meter, including disc assembly, micro-processor and LCD readout
- Factory calibrated for thin and medium fluids - field calibrate for more viscous fluids

## SPECIFICATIONS

<b>Design Type:</b>	Nutating Disc with Electronic Display	
<b>Fitting Size:</b>	1"	
<b>Fitting Type:</b>	Inlet: NPT (Female) Output: NPT (Male)	
<b>Flowrate:</b>	2 - 20 GPM (7 - 75 L/min)	
<b>Accuracy (% of Reading):</b>	$\pm 2.0\%$	
<b>Pressure Rating:</b>	50 psi (3.4 bar)	
<b>Operating Temperature Range:</b>	15° F to 130° F (-9° C to 54° C)	
<b>Wetted Materials:</b>	<b>Housing:</b>	PBT Polyester
	<b>Fluid Chamber:</b>	PBT Polyester
	<b>Signal Generator Kit:</b>	PBT Polyester / Ferrite
	<b>Seals:</b>	Fluorocarbon
	<b>Clip:</b>	316 Stainless Steel
<b>Shipping Weight (approx.):</b>	3 lbs. (1.4 kg)	
<b>Display Options:</b>	Local Display includes: Rate of Flow, Batch and Cumulative Totals. Factory and Field Calibration.	

## APPLICATIONS

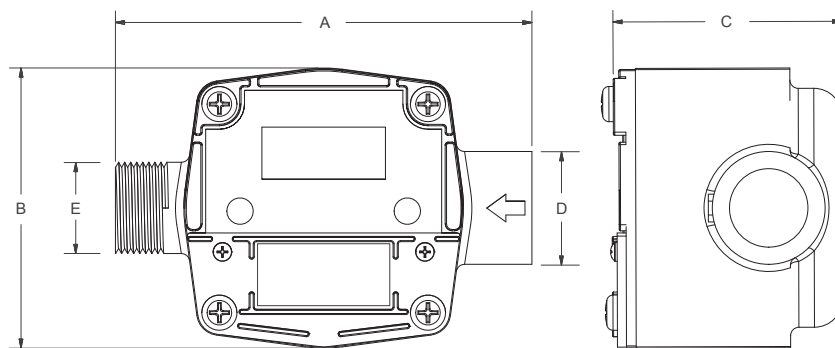
- Fertilizers
- Oil
- Pesticides
- Water

## APPROVALS



## DIMENSIONS

	Inches (mm)
<b>A. Width</b>	6.00 (152.4)
<b>B. Height</b>	4.03 (109.2)
<b>C. Depth</b>	3.30 (88.3)
<b>D. Inlet Port Outside Diameter</b>	1.64 (41.7)
<b>E. Outlet Port Thread Diameter</b>	1.31 (33.3)



Wichita · Sydney · Mexico City

GREAT PLAINS INDUSTRIES